



SC550A-WM PROFESSIONAL SERIES DESIGNED IN HOLLYWOOD

KEY FEATURES

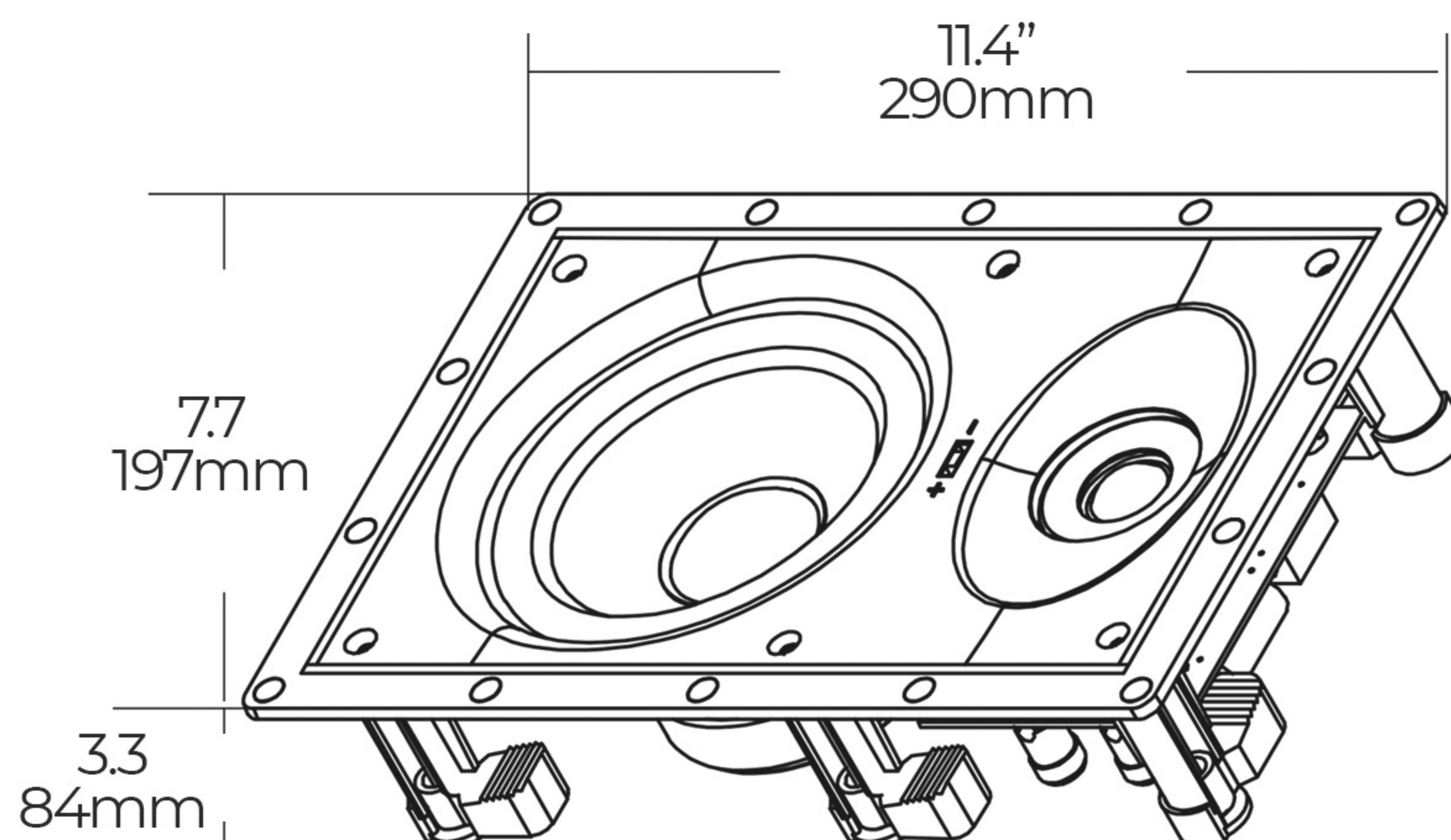
- 5.25" 2-WAY HI-FI IN CEILING SPEAKER
- KEVLAR CONE
- TWEETER 0.76" SILK DOME
- 65 Hz - 20 KHz
- 40 W POWER
- LOW PROFILE COMPACT DESIGN
- STEEL GRILLE DURABLE PAINTING FINISH



TECHNICAL PARAMETERS

Frequency Response	65Hz-20KHz
Power(RMS)	40W
Impedance	8 ohms
Sensitivity(1W/1M)	88dB
Woofer	5.25"(135mm)kevlar woven cone
Tweeter	0.76"(20mm)silk dome
Tweeter equalizer	+2dB/-2dB
Enclosure material	ABS
Grill material	steel
Cutout Dimensions	9.9"x6.2" / 253x158mm
Depth with 1/2 drywall	2.9" / 75mm
Over Dimension	11.4"x7.7"x3.3" / 290x197x84mm

TECHNICAL DRAWING



ALL DIMENSIONS ARE IN MILLIMETERS.